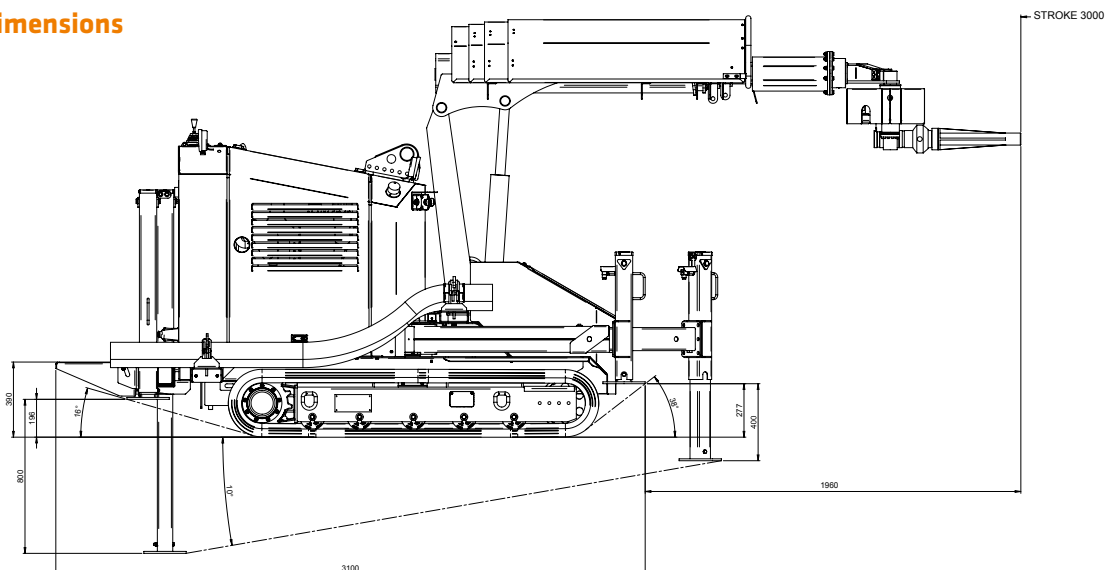


MANTIS



Dimensions



Characteristics

MANTIS is a tracked unit for spraying concrete ideal for underground works or areas difficult to reach. Equipped with a powerful crawler carrier, MANTIS is the best means to move in rugged and irregular work sites with total autonomy of movement. It can work either with the diesel engine or with the electric motor. This dual operation mode allows it to work even in areas with scarce power supply.

Thanks to the sturdy telescopic boom with 4 sections, long reach and compact design, MANTIS can be used either for dry or wet shotcrete. Two wide side doors make every component accessible for fast maintenance and control operations. The perfect addition to MANTIS are RHINO stationary concrete pumps.



MANTIS

Technical data

TELESCOPIC SPRAYING ARM

Maximum spraying reach*	m	vertical 8,90 horizontal 7,55
Minimum spraying reach*	m	vertical 2,5 horizontal 2,4
Arm extension		4 sections (3 telescopic)
Telescopic stroke	m	3
Working lights		2

SPRAYING HEAD

Rotation		360°
Inclination		240°
Nozzle diameter	mm	Ø 40

DUAL DRIVE

Electric	kW	7,5/400V
Diesel	kW	18,5

PROPORTIONAL REMOTE CONTROL

Drive		cable
-------	--	-------

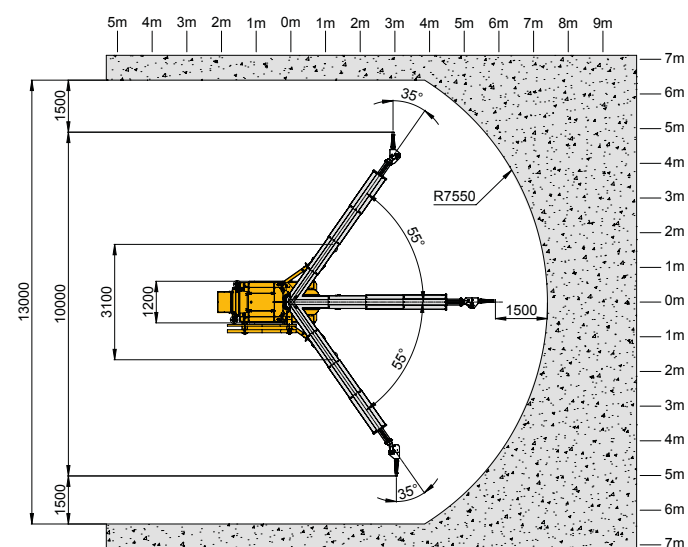
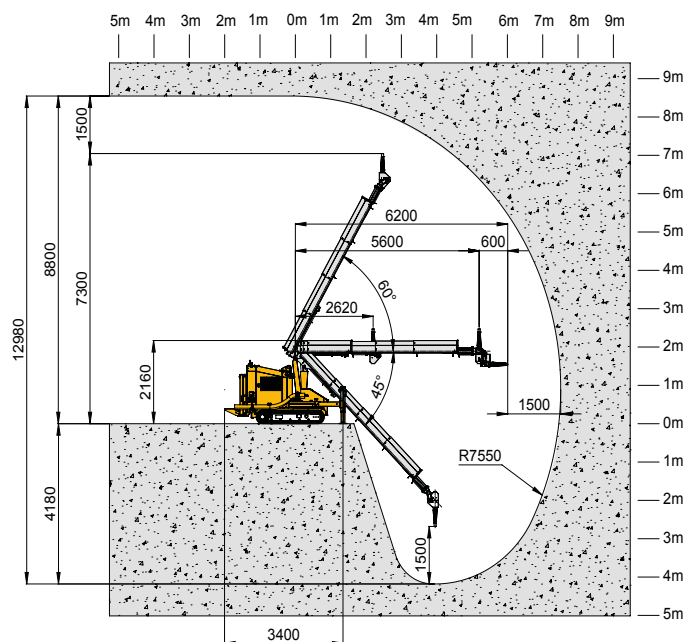
CRAWLER CARRIER

Engine		Kubota - 2 cyl. 18,5 kW - IIIB
Transmission		Hydrostatic
Traction		2-speed
Speed	km/h	1,5 - 3
Braking system		Automatic negative parking brakes
Steering		2 rubber crawlers
Stabilizer		4 hydraulic stabilizers
Driving lights	W	4 x 15 W led spotlights
Beacon		Amber
Electric equipment	V / A/h	12 / 77
Diesel tank capacity	l	43
Hydraulic oil tank	l	46

TRANSPORT DIMENSIONS

Dimensions (L x V x H)	cm	410 x 120 x 210
Weight	kg	2210

* The data indicated are theoretical and depend on the quality and consistency of the materials to be used, wear and tear of the unit and diameter of the hoses.



Scope of delivery

Nozzle kit

- 2" concrete hose, length 8m
- 1" air line, length 10m
- 1" additives line, length 10m